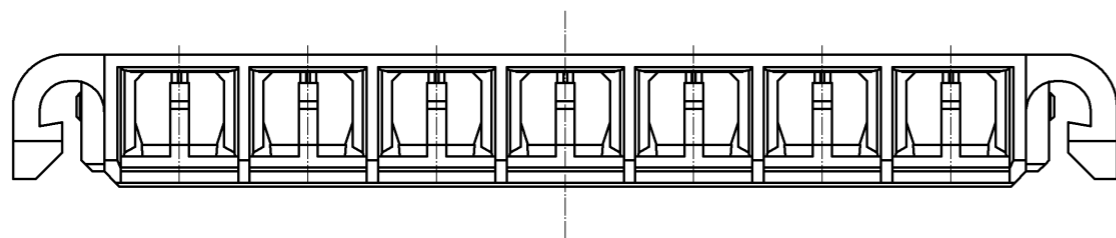
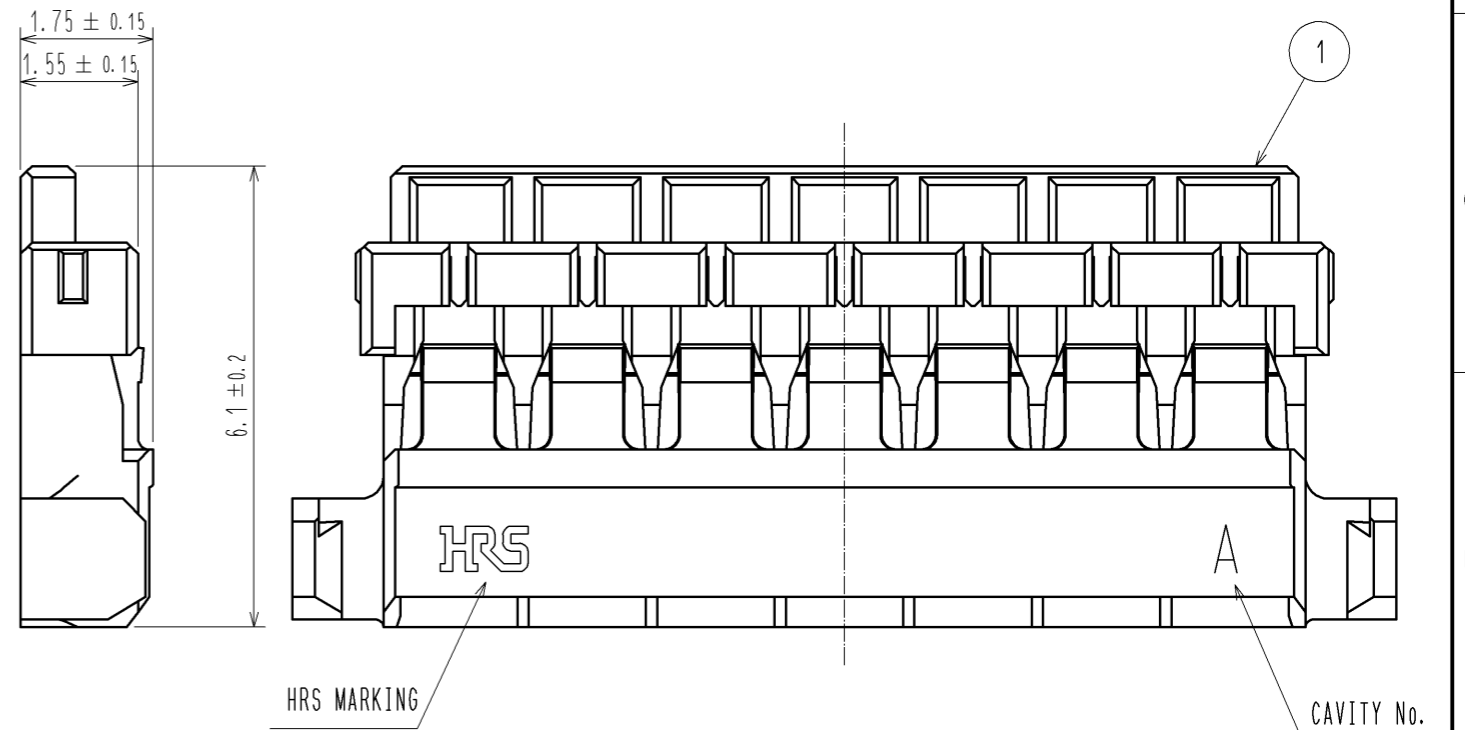
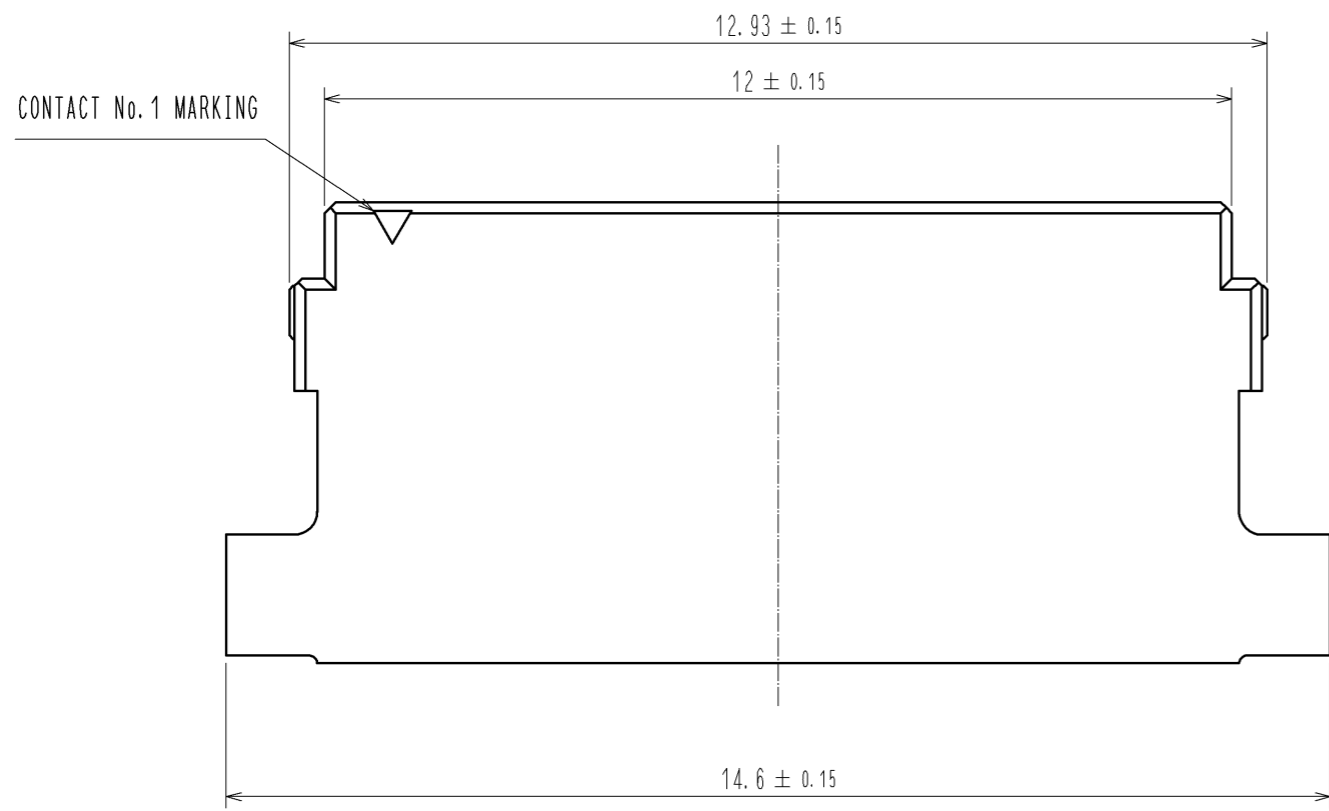
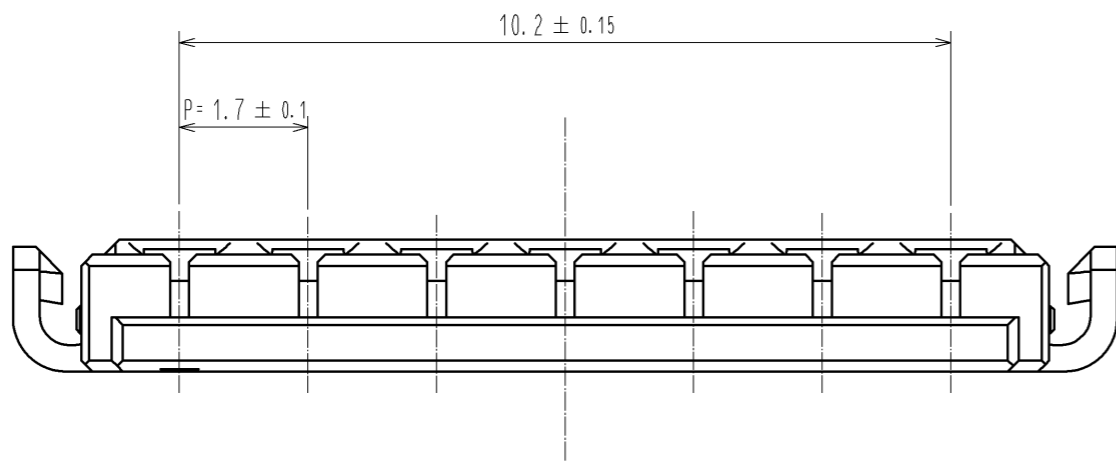


Applicable standard					
Rating	Operating Temperature range	-40 °C to +105°C (Note1)	Storage Temperature range	-10 °C to +60°C (Note3)	
	Operating Humidity range	20% to 80% (Note2)	Storage Humidity range	40% to 70% (Note3)	
	Voltage	50 V AC/DC	Applicable connectors	DF65-7P-1.7V(##)	
	Current	AWG #24 : 3.0A	Insulation diameter	AWG24 to 28 : ϕ 0.7~1.15mm	
			Applicable contact	DF65-2428SCF	
Specifications					
Item	Test method	Requirements	QT	AT	
Construction					
General examination	Visually and by measuring instrument.	According to drawing.	X	X	
Marking	Confirmed visually.		X	X	
Electric characteristics					
Insulation resistance	100 V DC.	100 M Ω MIN.	X	-	
Voltage proof	500 V AC for 1 min.	No flashover or breakdown.	X	-	
Mechanical characteristics					
Mechanical operation	30 times insertion and extraction.	No damage, crack or looseness of parts.	X	-	
Vibration	Frequency 10 to 55 Hz, single amplitude 0.75 mm, at 10 cycles for 3 direction.		X	-	
Shock	490 m/s ² duration of pulse 11 ms at 3 times each for 3 both axial directions.		X	-	
Environmental characteristics					
Damp heat (Steady state)	Exposed at 40 \pm 2°C , 90 to 95 % , 96 h. (After leaving the room temperature for 1~2h.)	①Insulation resistance: 100 M Ω MIN. ②No damage, crack or looseness of parts.	X	-	
Rapid change of temperature	Temperature -55°C \rightarrow +85°C Time 30min \rightarrow 30min Under 5 cycles. (The transferring time of the tank is 2~3 min) (After leaving the room temperature for 1~2h.)		X	-	
Note 1: Include the temperature rising by current. Note 2: No condensing Note 3: Apply to the condition of long term storage for unused products before PCB on board. After PCB on board, operating temperature and humidity range is applied for interim strage during transportation.					
	Count	Description of revisions	Designed	Checked	Date
Remarks			Approved	KI. AKIYAMA	14. 07. 16
			Checked	HK. UMEHARA	14. 07. 15
Unless otherwise specified, refer to IEC 60512.			Designed	TT. OHSAKO	14. 07. 15
			Drawn	TT. OHSAKO	14. 07. 15
Note QT:Qualification Test AT:Assurance Test X:Applicable Test		Drawing No.		ELC4-354320-00	
	Specification sheet		Part No.	DF65-7S-1. 7C	
	HIROSE ELECTRIC CO., LTD.		Code No.	CL666-6015-1-00	1/1



NO.	MATERIAL	FINISH . REMARKS	NO.	MATERIAL	FINISH . REMARKS		
1	LCP			UL94V-0. NATURAL			
UNITS		SCALE	COUNT	DESCRIPTION OF REVISIONS	DESIGNED	CHECKED	DATE
mm		10 : 1	△				
APPROVED : KI. AKIYAMA 14. 07. 30 CHECED : HK. UMEHARA 14. 07. 30 DESIGNED : TT. OHSAKO 14. 07. 30 DRAWN : TT. OHSAKO 14. 07. 30			DRAWING NO. EDC3-354320-00 PART NO. DF65-7S-1.7C CODE NO. CL666-6015-1-00				
HRS HIROSE ELECTRIC CO., LTD.			△ 1/1				